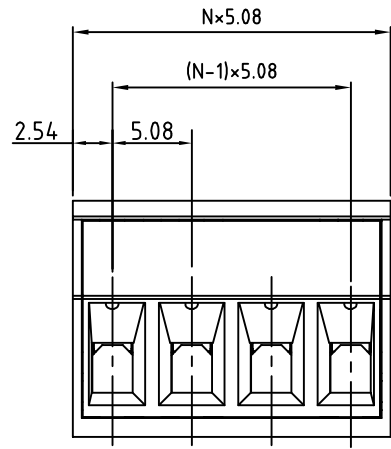
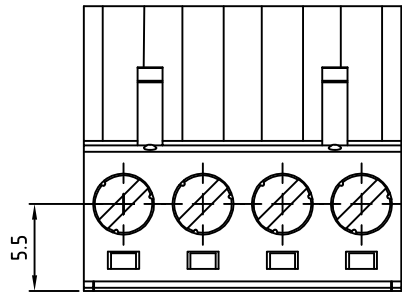
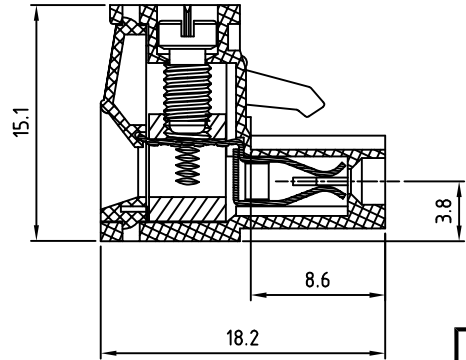


SIGN	DATE	DESCRIPTION	APPROVER

THIS IS CAD DRAWING, DO NOT REVISE MANUALLY!!!



N=Number of poles



Material

- Terminal body
(metal housing): Brass(CuZn)
- Terminal screw: Steel Zinc plating "-" slot type
- Wire guard: PhBz ,Tin plated
- Insulator (housing): Thermoplastic (UL94V-0)

Electrical cULus / CSA/VDE / TUV

- Voltage rating: 300V/250V/300V/300V
- Current rating: 20A/15A/20A/20A
- Wire range: 2.5mm²/ 0.34-2.5mm²
Solid wire(AWG): 12-24/14-22
Stranded wire(AWG): 12-24/14-22
- Torque: 5Lb-In/5kgf.cm/0.5N.m/0.56N.m
- Screw: M3
- Wire strip length: 7-8mm
- Withstanding Voltage: 1.6KV/1.5KV/2.5KV/2.5KV
- Operating temperature: -30°C to +105°C
- Safety Approval:

RoHS Compliant

PART NUMBER:

OSTTJXX5153

- No. of Poles
- 02 2 Poles
 - 03 3 Poles
 -
 - 24 24 Poles

- COLOR
- 0: Black
 - 5: Green (Standard)
 - 6: Blue
 - 8: Grey



THESE DRAWINGS AND SPECIFICATIONS ARE THE PROPERTY OF ON-SHORE TECHNOLOGY, INC. AND SHALL NOT BE REPRODUCED, COPIED OR USED IN ANY MANNER WITHOUT THE PRIOR WRITTEN CONSENT OF ON-SHORE TECHNOLOGY, INC.

TITLE		OSTTJ - 5.08mm Series			
PART NO.	OSTTJXX5153	DWG NO.	OSTTJXX5153.DWG		
APPROVED	CHECKED	DESIGNED	DRAWN	CUST NO.	Tolerance
Shi Jun 2006.10.23	Marvin 2006.10.23	Marvin 2006.10.23	Marvin 2006.10.23		X. ±0.50 X.X ±0.30 X.XX ±0.10 X° ±1°
SHEET: 01/01				UNIT: mm	SCALE: NONE
				REV.: E	